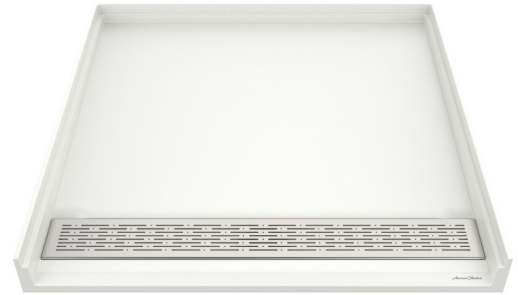


**TOWNSEND® 38" x 38" (36" x 36" Clear)  
ADA SOLID SURFACE SHOWER BASE**

- 3838AMFCOL** Barrier Free Front Center Drain  
with Trench Cover

**Product Features:**

- Durable 100% solid, non-porous material
- Smooth matte surface
- Integral 3-sided 1" tiling / water retention flange for easy installation
- Repairable and renewable surface
- Does not support bacteria and fungi growth
- Self-extinguishing
- UV resistant
- Resistant to stains and impact
- Easy maintenance and cleaning
- ADA Compliant when installed according to ADA guidelines
- Drain not included



SEE REVERSE SIDE FOR ROUGHING-IN DIMENSIONS

**Nominal Dimensions:**

38" x 38" x 1-3/8"  
(965 x 965 x 34mm)

**Shower Base Includes:**

- Removable Brushed Stainless Steel trench drain cover

**Compliance Certifications -**

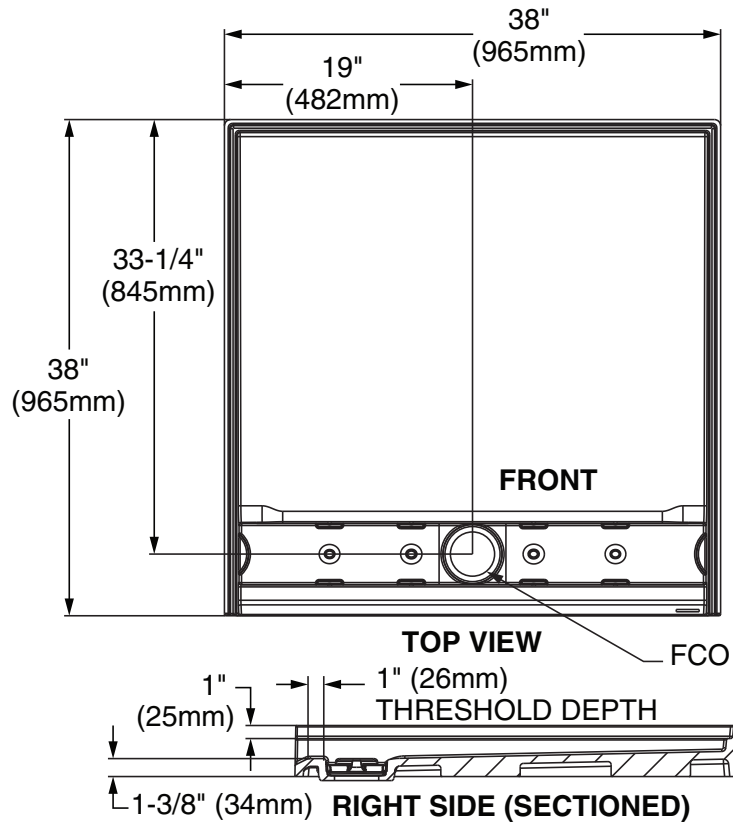
**Meets or Exceeds the Following Specifications:**

- CSA B45.5 / IAPMO Z124
- cUPC
- ASTM F462 (Pass w/COF=0.44)
- ASTM C1028
  - COF Dry = 0.66
  - COF Wet = 0.56

Flame & Smoke

- ASTM E84
  - Flame Spread Index = 0
  - Smoke Index = 20
- CAN/ULC S102.2
  - Flame Spread Rating = 0
  - Smoke Developed Classification = 15

**3838AMFCOL**  
**Barrier Free Front Center Drain with**  
**Trench Cover**



<b>GENERAL SPECIFICATIONS FOR 3838AM SHOWER BASE</b>	
INSTALLED SIZE _____	965mm x 965mm (38 x 38 In.)
WEIGHT _____	39.7 Kg. (87 Lbs.)
SHOWER WELL AT SUMP _____	901mm x 902mm (35-1/2 x 35-1/2 In.)
SHOWER WELL AT RIM _____	924mm x 914mm (36-3/8 x 36 In.)
FLOOR LOADING _____	43 Kgs/Sq. m. (9 Lbs./Sq. Ft.)
(PROJECTED AREA)	